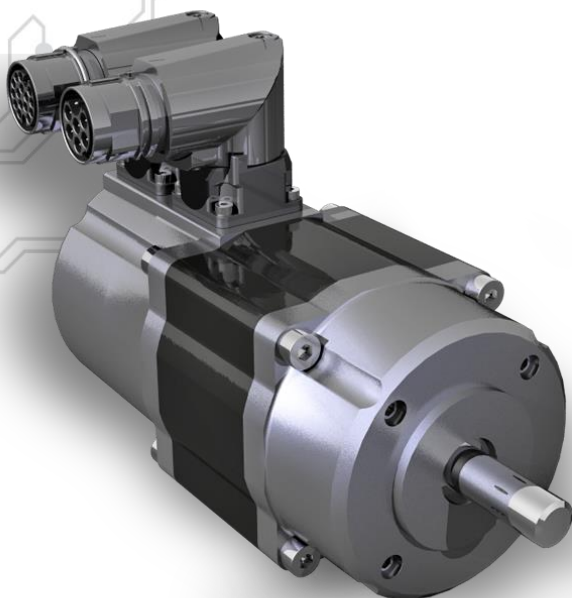




AC BRUSHLESS SERVOMOTORS - DSM5.1x



DSM5 - size ONE Brushless Servomotors are AC PM Synchronous servomotors. They have been designed using the latest generation of magnets and construction techniques to provide cost effective performance. They can be supplied with resolver or Incremental / absolute encoder.

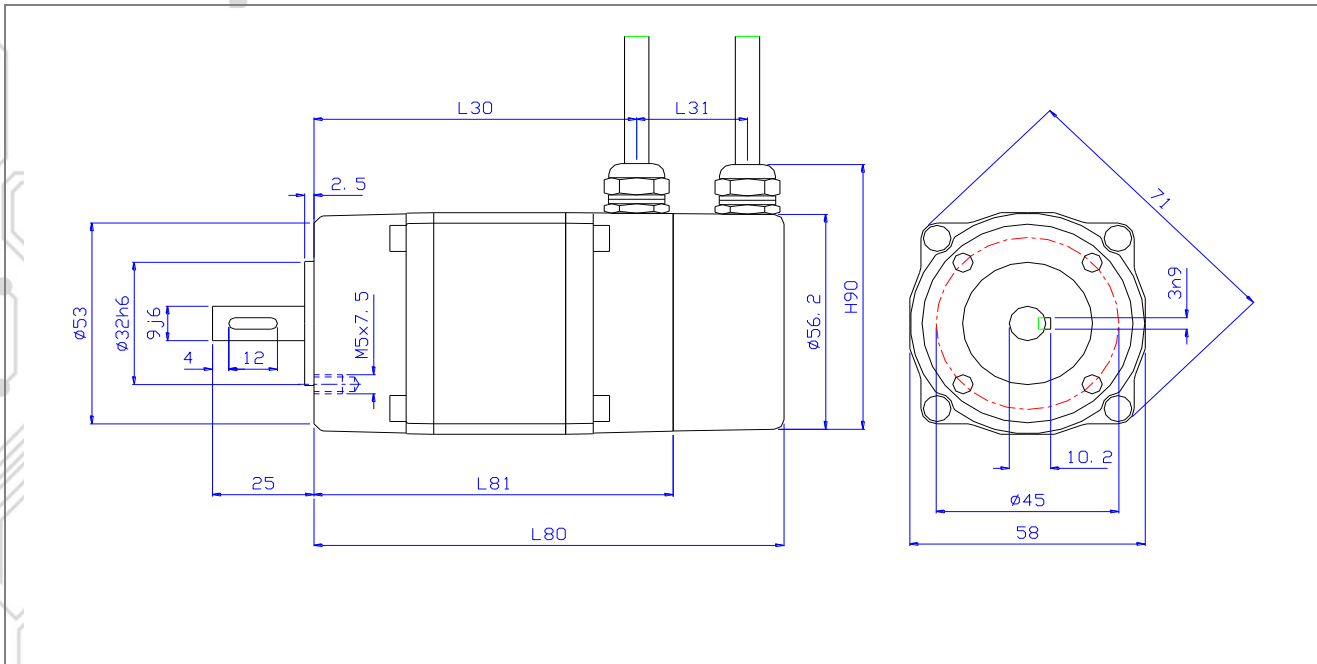
Their main characteristics are:

- Rare earth magnets for high performance
- 4 Poles construction for lower cost
- 58 x 58 mm frame size
- Sinusoidal Back EMF
- Integrated PTC thermal protection
- Flying lead or connector termination
- Compact design, low weight
- High IP rating
- smooth surface
- High efficiency

Technical Data

Tab. 1

Description Winding code	Symbol	Units	DSM5.11			DSM5.12			DSM5.13		
			1	3	4	1	2	3	1	2	3
Standstill Torque	M_0	Nm	0,24			0,45			0,9		
Max Voltage	U_{MAX}	V	179	47	24	188	335	47	183	336	50
Standstill Current	I_0	A	0,67	2,6	4,8	0,94	0,46	3,3	1,8	1	6,4
Nominal Current	I_N	A	0,56	2,1	4	0,84	0,42	3	1,6	0,89	5,9
Nominal Torque	M_N	Nm	0,2			0,4			0,7		
Nominal Power	P_N	W	100			160			280		
Nominal Speed	N_N	min ⁻¹	5.000			4.000			4.000		
Maximal Speed	N_{MAX}	min ⁻¹	6.000			5.000			5.000		
Peak Current	I_{MAX}	A	2,7	11	19	4	2	14	7,5	4,2	27
Voltage constant	K_E	V/Krpm	22	5,8	3	30	56	7,6	31	57	8,5
Torque constant	K_T	Nm/A	0,36	0,1	0,05	0,5	0,94	0,13	0,51	0,94	0,14
Rotor Inertia	J_R	Kg cm ²	0,094			0,17			0,32		
Resistance @ 20°C	R_{U-V}	ohm	24	1,6	0,42	14	49	0,96	5,5	18	0,46
Inductance @ 1 KHz	L_{U-V}	mH	32	2,1	0,6	27	80	1,5	11	40	0,9
Mass	m	Kg	0,62			1,02			1,68		



Dimension in mm

Tab. 2

Motor Type	DSM5.11		DSM5.12		DSM5.13	
	Res/enc	Brake	Res/enc	Brake	Res/enc	Brake
Feedback/Brake						
L80	96	na	116	152	156	192
L81	71		91		131	
L30	60		80		120	
L31	24	na	24	62	24	62
H90	70		70		70	
Cable lenght	300					
Fr @3000rpm [N]	180					
Fa @3000rpm [N]	60					

Values in this catalogue are true for the following conditions:

- Max ambient temperature 40° C
- Min ambient temperature 0 °C
- Max Altitude 1000 m (above sea level)
- F insulation class (materials F & H)
- RMS values
- Installation on an aluminium flange
- Degree of Protection IP44 (shaft excluded)
- Installation Motor design B14 – V18 –V19
- Cooling IC410
- Typical tolerance value ±10%
- Continuous ratings apply with a rise of ΔT=100K

The following accessories are available on request:

- Gear reducers
- Precision planetary gears reducers
- Digital Drive
- Low-cost digital drive
- Complete cable sets (motor to drive)
- Special windings
- Sensor-less motor
- Custom shaft
- Application specific customization
- Holding brake

Sangalli reserves the right to amend the specification of this product without prior notification.

PART NUMBER COMPOSITION

1	2	3	4	5	6	7	8	9	10	11	12
D	S	M	5	1	2	1	0	9	3	x	x

POS. DESCRIPTION

- 1-3 **Product**
DSM= PM synchronous motor, self cooling
- 4 **Motor type**
Series 5
- 5 **Motor size**
Size One
- 6 **Motor length**
1= Mo 0,24 Nm
2= Mo 0,45 Nm
3= Mo 0,90 Nm
- 7 **Voltage**
1= Winding code 1
2= Winding code 2
3= Winding code 3
4= Winding code 4
- 8 **Holding brake**
0= Without brake
- 9 **Feedback**
0 = Sensorless
4 = Incremental Encoder 2048 PPR + hall
5 = Incremental Encoder 1024 PPR + hall
9 = Resolver 2p 7V 10KHz
- 10 **Connection type**
0 = Cable gland + free wires 30-40 cm
1 = Cable gland + cable 30-40 cm
8 = M17 7 poles power connector / M17 90° feedback
- 11-12 **Special version** *(Below some examples, for further details please contact our technical support.)*

90= Thermal protection PT1000
xx = Special version on request

SANGALLI SERVOMOTORI



SANGALLI SERVOMOTORI S.r.l.

VIA FEDERICO ROSSI, 5

20900 - MONZA (MB) – ITALY

Subject to the direction and coordination of ESAUTOMOTION SPA

TEL. 1 : 00-39-039-2020322

TEL. 2 : 00-39-039-2020747

FAX : 00-39-039-2020656

INFO@SANGALLISERVOMOTORI.IT

WWW.SANGALLISERVOMOTORI.IT

MOTORS & MOTION CONTROL

- **DSM5 BRUSHLESS SERVOMOTORS**
- **DSG SYNCHRONOUS PM GENERATORS**
- **RARE EARTH SC DC SERVOMOTORS**
- **DSW WATER-COOLED**
- **LOW-COST SOLUTIONS**
- **PLANETARY GEARS**
- **CUSTOMISED SOLUTIONS**
- **TORQUE MOTORS**
- **FRAMELESS SPINDLE MOTORS**



ISD : E220486

